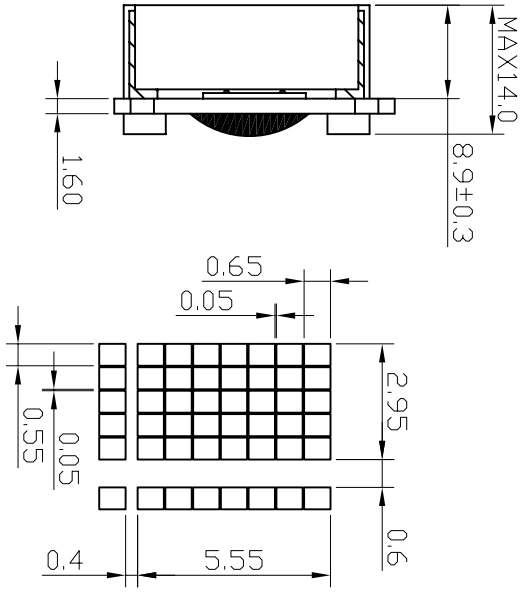
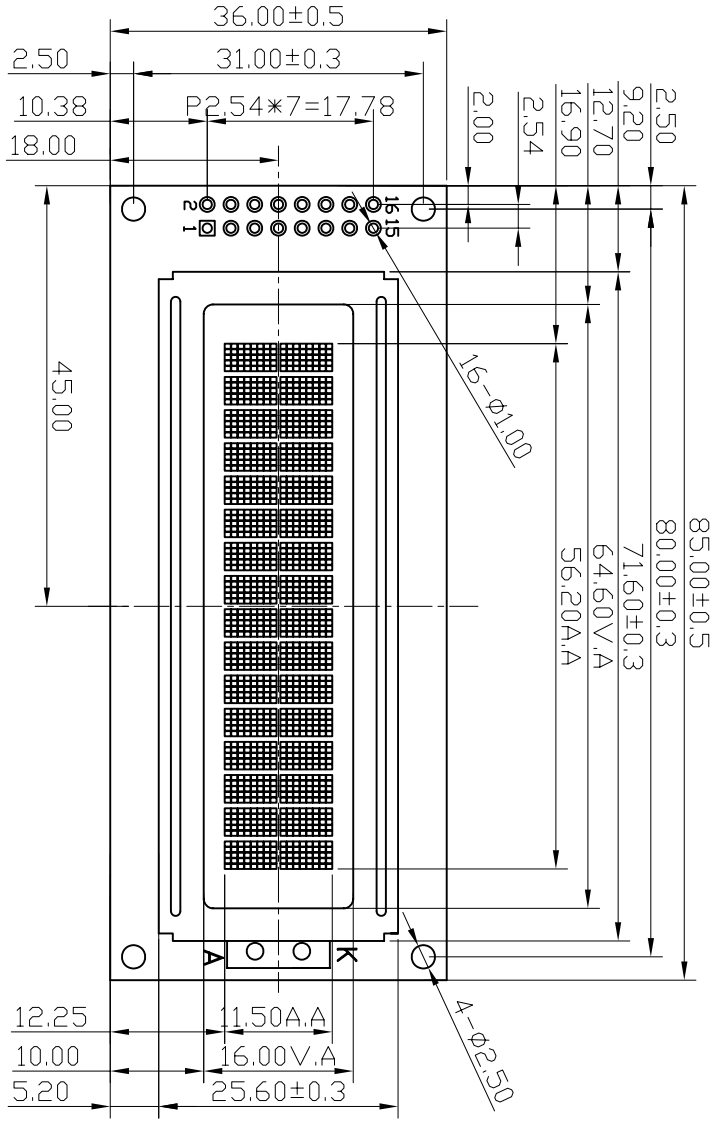
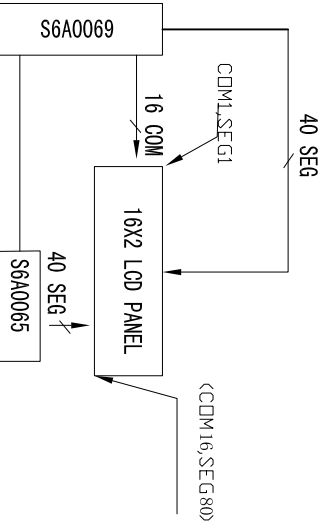


REV.	CHANGE CONTENT	BY	DATE



PIN	1	2	3	4	5	6	7	8	9	10	11	12	13	14	15	16
SYMBOL	GND	VDD	V0	RS	R/W	E	D0	D1	D2	D3	D4	D5	D6	D7	LED+	LED-



- NOTE:
1. DISPLAY TYPE: STN-Y/G-POSITIVE
  2. DISPLAY MODE: TRANSFLECTIVE
  3. DRIVE METHOD: 1/16 DUTY, 1/5 BIAS, 4.6V Vop, 5V VDD
  4. VIEWING DIR.: 6:00
  5. OP. TEMP.: -20°C~70°C
  6. ST. TEMP.: -30°C~80°C
  7. BACKLIGHT: COLOR-Y/G, 5.0±0.2V, 130mA, MIN. 80 CD/m<sup>2</sup>
  8. DRIVER IC: S6A0069, S6A0065

TOLERANCE	HTDISPLAY CO., LTD.		DESIGN	ZOUPS	05.12.08	STANDARD	FILE NO. : 8	REV. : A	SCALE : -
>0~6 ±0.10	DRAWING No. : HCL160207C-YF62L-VA		CHECKED			TECHNOLOGY	PROJECTION:	UNIT : mm	
>6~80 ±0.20			APPROVED			G.A	SHEET : 1/1		
>80~240 ±0.30	DRAWING TITLE: LCM DRAWING								
>240~400 ±0.50									
// 1.0 ±0.10									